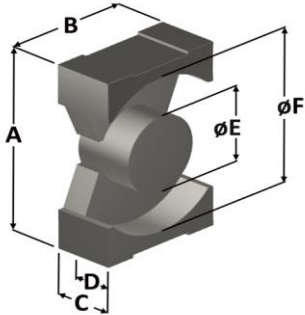


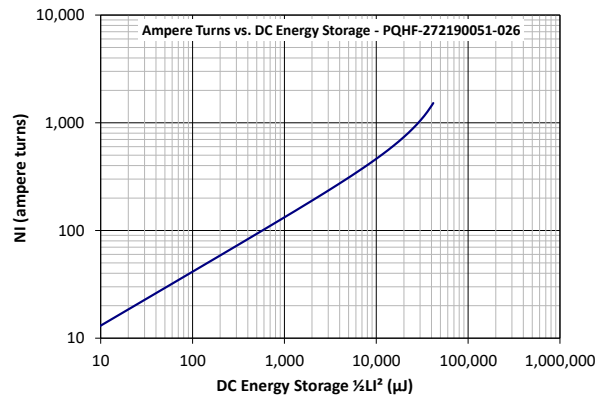
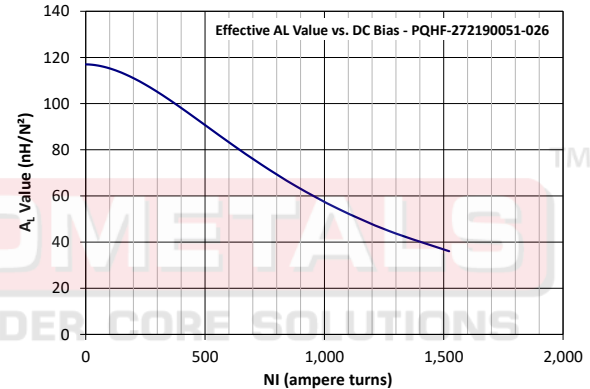
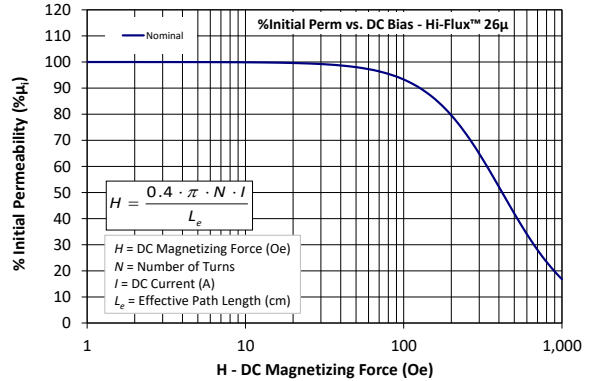
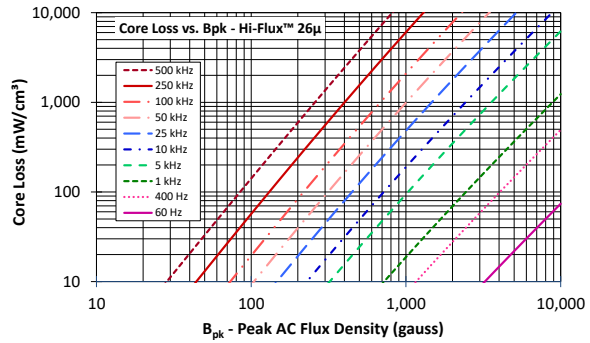


Part Number: PQHF-272190051-026

Revision 20200820 - Generated 2020-Aug-20



A	27.2 ± 0.46 mm	1.071 ± 0.018 in											
B	19 ± 0.46 mm	0.748 ± 0.018 in											
C	5.1 ± 0.20 mm	0.201 ± 0.008 in											
D	1.2 mm (min.)	0.047 in (min.)											
E	12 ± 0.46 mm	0.472 ± 0.018 in											
F	22.05 mm (min.)	0.868 in (min.)											
Mass	(approximate)	9.1 grams/half											
Magnetic Dimensions	A _e - Eff. Mag. Cross Section	1.05 cm ²											
	L _e - Eff. Mag. Path Length	2.94 cm											
	V _e - Eff. Core Volume	3.09 cm ³											
	WA - Min. Eff. Window Area	0.115 cm ²											
	sa - Surface Area	19.7 cm ²											
	mlt - mean length per turn	5.35 cm											
Inductance	μ _i (reference)	26											
	A _i value (nominal)	117 nH/N ²											
	Test Winding	N=5, #26 AWG											
	Frequency	10 kHz											
	Voltage on Agilent 4284A	0.023 V											
A _i tolerance	±12%												
Core Loss	$\text{Core Loss (mW/cm}^3\text{)} = \frac{f}{B_{pk}^3} + \frac{b}{B_{pk}^{2.3}} + \frac{c}{B_{pk}^{1.65}} + d \cdot B_{pk}^2 \cdot f^2$												
	where B _{pk} expressed in gauss, f expressed in hertz, and: a=1.00E+06, b=1.75E+08, c=2.80E+06, d=2.20E-14												
	B _{pk}	300 G											
	frequency	100 kHz											
	Core Loss (nominal)	192 mW/cm ³											
Core Loss (maximum)	221 mW/cm ³												
DC Saturation	$\% \mu_i = \frac{1}{a + b \cdot H^c} + d$												
	where H expressed in oersteds, and: a=0.01, b=1.51E-07, c=1.84, d=0.00												
	H _{dc}	200 Oe											
	Percent Initial Perm(nom.)	79.6%											
Percent Initial Perm(min.)	73.6%												
Coating/Pkg	Coating Type:	None											
	Voltage Breakdown (min.)	N/A											
	Limit	N/A											
	Package Quantity	960 Halves/Box											
Winding Table	Wire Size	AWG	22	24	26	28	30	32	34	36	38	40	42
		mm	0.630	0.500	0.400	0.315	0.250	0.200	0.160	0.125	0.100	0.080	0.063
	Full Winding	Turns	13	20	32	49	76	117	182	281	435	673	1,042
	Rdc(Ω)	36.8 m	90.0 m	229.1 m	557.8 m	1.4	3.4	8.3	20.5	50.4	124.0	305.3	



Handling and Storage: Cores should be stored in the original unopened packaging between -10°C and +50°C and less than 60% relative humidity. After the original packaging is opened, the cores should be stored between -8°C and +25°C less than 30% relative humidity. Gloves should be used when handling uncoated cores. The cores should also be sheltered from rain, moisture, salt water, salt air, plasters, ashes, sulfur, sulfur dioxide, ammonia sulfates, soils, acids, metals shavings, and solvents.

Operating Temperature: Cores can be used continuously at operating temperatures between -60°C and +200°C.

RoHS 2.0, REACH and ISO (TS16949, ISO 9001, ISO 14001) compliant. Statements available for download at www.micrometalsapc.com.