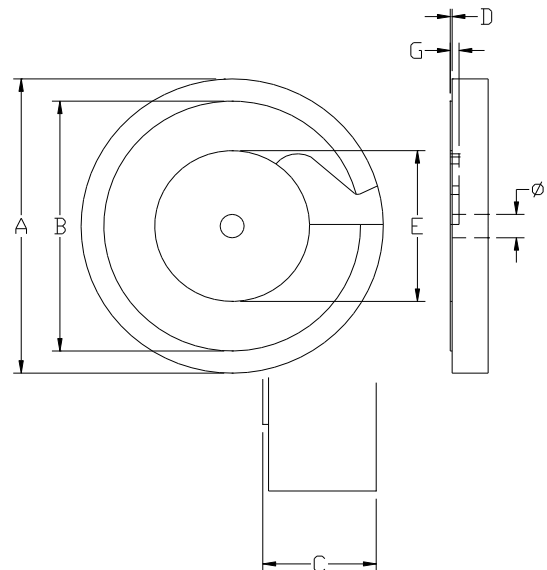


Part Number: **D101-1052**
Description: **Iron Powder Disc Core**



Dimensions:	inches (millimeters)	
A	3.180 / 3.120	(80.8 / 79.2)
B	2.705 / 2.645	(68.7 / 67.2)
C	0.424 / 0.364	(10.8 / 9.25)
D	0.030 / 0.010	(0.762 / 0.254)
E	1.644 / 1.584	(41.8 / 40.2)
F	0.280 / 0.220	(7.11 / 5.59)
G	0.090 / 0.080	(2.29 / 2.03)

Material Characteristics:

Material Type: Micrometals Mix-52
Initial Permeability: 75 (reference)
Temperature Stability: +650 ppm/K typical
Core Loss (140G, 100kHz): 58 mW/cm³ nominal

Finish: None

Note: Core must be kept dry and handled with cotton gloves to slow down the formation of surface rust. The Thermal Aging properties of Micrometals Mix -52 are unique to Micrometals alone and not our competitors. All other material properties as described in Micrometals 2019 Iron Powder Products Catalog. Micrometals Iron Powder Cores comply with the EU Directives 2002/95/EC and 2003/11/EC. Any possible unintentional RoHS trace elements present are less than 100 ppm.